

My Name is Peter Donaghy I am not an Inventor I am a driver.

e-mail – petedonaghy@aol.com

Tel: number 07500040457

Our Patent Number GB2510260

I would like to show you a design my wife thought of several years ago, she came up with the idea for two reasons, firstly was she found it difficult trying to hang large items on the washing line when it was windy.

She found she needed two hands to place larger items such as sheets etc on the line and to peg them whilst the wind was trying to take the rotating arms around, secondly my elderly Mother was hit on the head whilst she was trying to hang washing on the line, the wind took the rotary arms and they rotated and hit her on the forehead.

Other benefits are that it could be locked in place for safety reasons if people are in the vicinity of the line and it can also be locked with heavier wetter items facing the sun if they are not drying quickly enough.

We have had a GB patent on this for a year and a half now unfortunately we were let down by a company who was supposed to be taking it to market for us but this never happened.

I will run you through the idea which I feel would be a great add on to existing rotary washing lines as it could be adapted at manufacturing stages to any existing product or enable a completely new range of rotary lines.

The first design we called the click 2 lock Rotary line, the working of this means the ground anchor is ideally concreted into the ground then the main upright pole is received into the ground anchor and locks in place preventing the upright pole from rotating, the arms then are free to rotate around the locked pole and enable the washing to dry as any conventional rotary line works.

The lock mechanism can then be used to lock the rotating arms to the locked upright pole to enable safe and easy loading of washing and released to enable the arms to rotate freely again.

The first design shows the ground anchor as a arrow type fitting with sections inside to enable the upright pole to slide in and lock in place, the locking mechanism shows a slide lock that is pushed down to lock the arms to the upright pole.

The second design much the same however the ground anchor is spiked to enable the user to push into grassed areas and has just one section inside to receive and lock the upright pole, the locking mechanism is much the same too however it enables the arms to be locked in several positions around the upright pole, and is pushed up to lock the rotating arms.

My preference is the ground anchor on design 1 as the anchor I feel would be more stable if concreted into the ground. The lock mechanism on design 2 is better in my opinion as it has several locking positions.

I feel the ground anchors could be used in either design perhaps the design 1 is more suited to concrete and the anchor in design 2 more suited to grass areas, although many manufactures recommend a concrete fitting, therefore I would suggest the ground anchor in design 1.

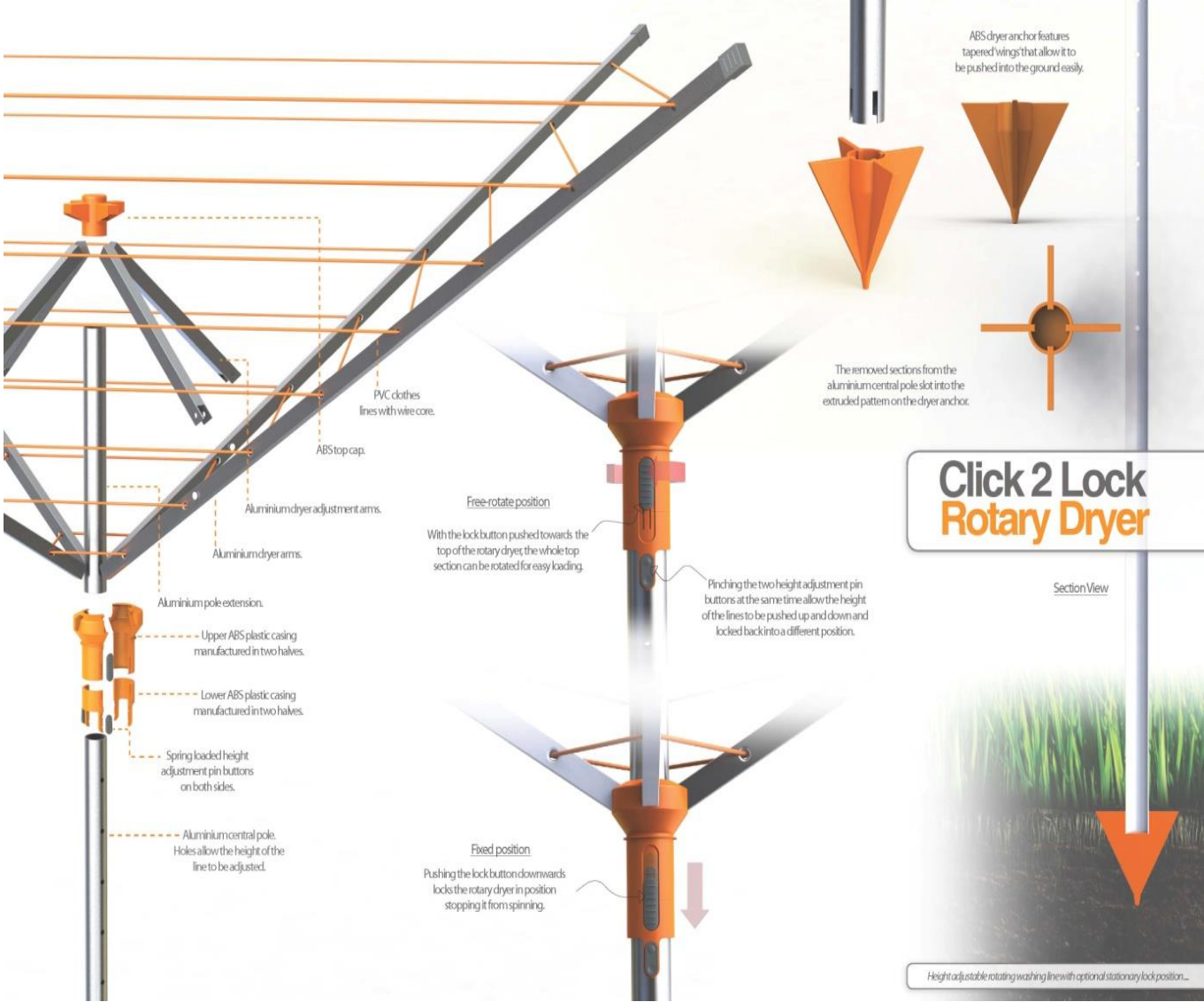
The Lock mechanism in design 2 is more beneficial as it has more locking positions and could be tweaked perhaps with a more substantial hand grip or a slightly different locking idea.

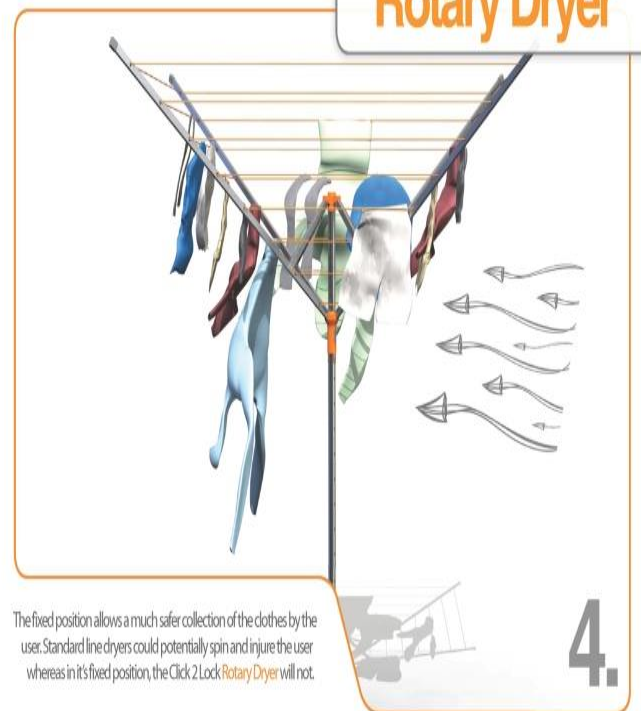
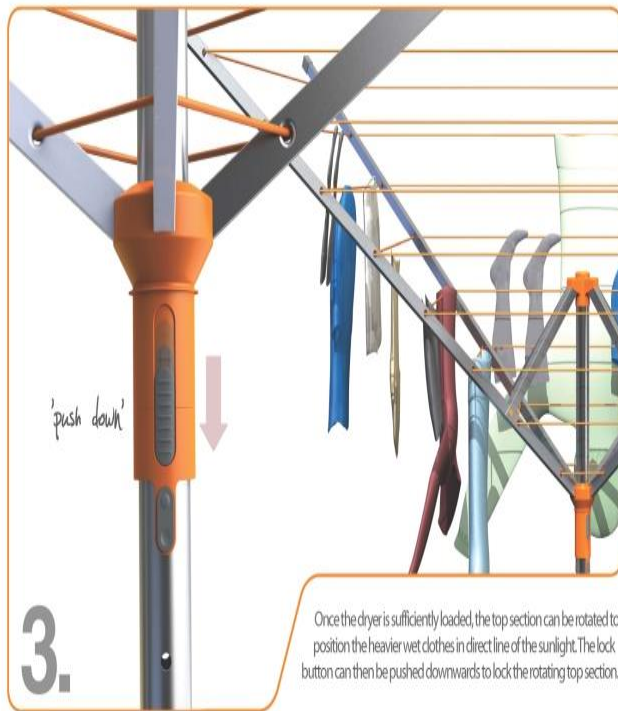
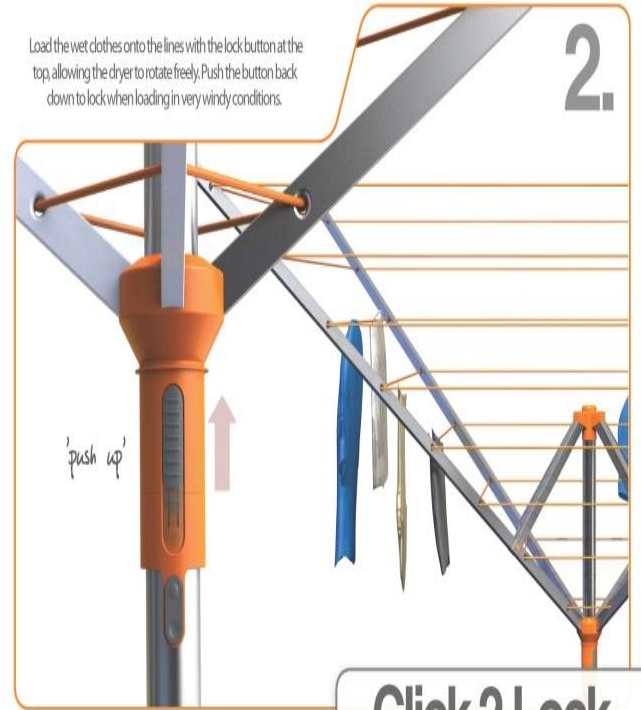
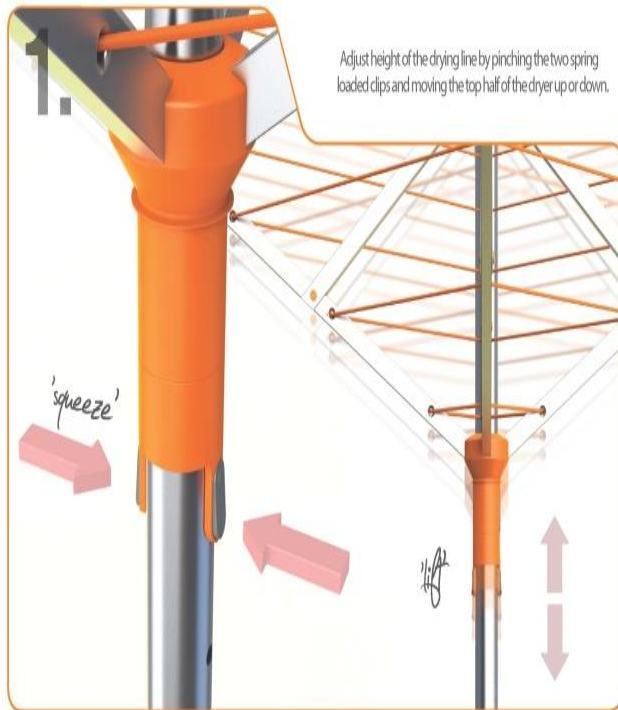
This idea can easily be adapted to any existing rotary line at manufacturing stage and could be fitted as standard, or a completely new range, however as a add on at manufacturing stage this could be more cost effective than starting a new range of rotary driers.

We also thought the name Lock and Load Rotary Drier would be a good brand name as it says what it is and does, I think this design would be beneficial to all users but especially the elderly or less abled bodied person.

We are looking for someone to licence this or any suggestions to help take this to market.

# DESIGN 1





## Click 2 Lock Rotary Dryer

Height adjustable rotating washing line with optional stationary lock position...

# DESIGN 2





